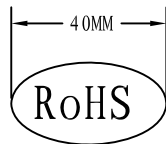
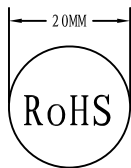


PIN OUT :

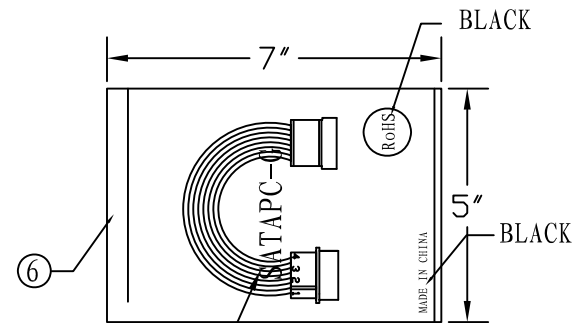
P1	P2
1 <u>YELLOW</u>	1+2+3
2 <u>BLACK</u>	4+5+6
3 <u>BLACK</u>	10+11+12
4 <u>RED</u>	7+8+9
	13+14+15



PRINTING CTN, COLOR: BLUE



PRINTING PE BAG, COLOR: BLACK



BLACK
PE BAG PRINTING: SATAPC-G

MATERIAL LIST :

NO.	P/NAME	DESCRIPTION	Q' TY
1	CONN	UL1007 20AWG (TC) RED*1PCS YELLOW*1PCS BLACK*2PCS L: 180mm	4
2	HOUSING	2100H-04 HOUSING	1
3	TERMINAL	1003TL-B2 TERMINAL	4
4	HOUSING	SERIAL ATA 15PIN BLACK HOUSING	1
5	TERMINAL	SERIAL ATA 15PIN TERMINAL	5
6	PACKING	08*5"*7" PE BAG PRINTING BLACK WORD	1
7	CTN	PCS/CTN (46*30*25CM)	
8			

MOLD TOOL NO.		DRAWN BY		
		He		
		CHECKED BY		
		CONFIRMED BY		
		CHECKED BY		
		APPROVED BY		

SCALE	UNIT	REV
	MM	F
FILE NAME	CUSTOMER	
DATE	CUSTOMER P/N	

RoHS