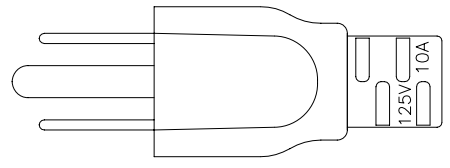
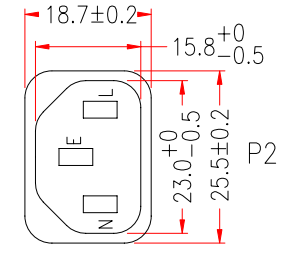
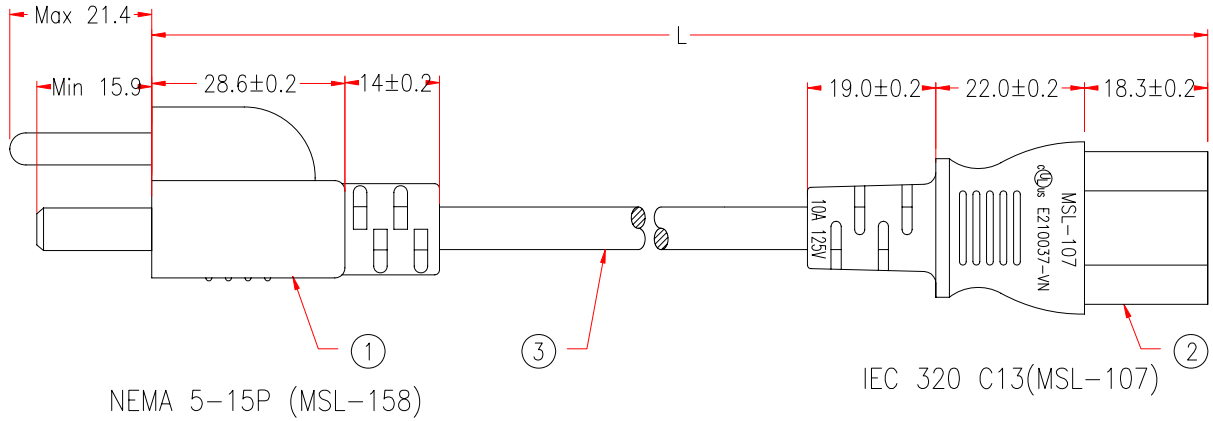
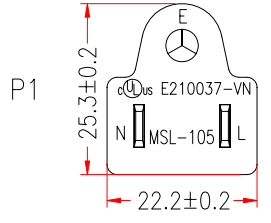
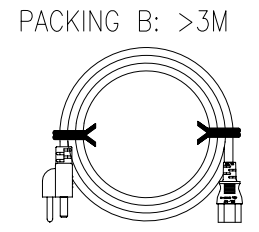
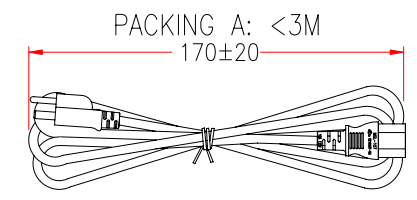


P1:	M-Y084A
	M-084A
P2:	M-005B

Customer No.: No.1



IEC 320 C13(MSL-107)



P1,P2: cD<sub>us</sub> E210037-VN

NOTE: All relevant materials are complied with RoHS directive .  
THE MARKING IS PROTRUDING LETTERING MOULD

CABLE MARKING:

(UL) SVT 3/C 18AWG(0.824MM<sup>2</sup>) VW-1 75°C 300V E204978 C(UL)  
SVT 3/C 0.824MM<sup>2</sup>(18AWG) FT2 60°C 300V E204978 MSL-VN-

107158B1F18A(FP362-00)			
	P1		P2
BLACK	L	—————	L
WHITE	N	—————	N
GREEN	E	—————	E

3	UL SVT 18AWG*3C, OD 6.3mm, JACKET BLACK, DRAWING No. EPSVT011803C-099	H5TB10-0304K09	L-30mm	M304
2	MOLDED PVC 35P, COLOR BLACK	H1BC02-0304K09		M304
	BRACKET: YS-003	A1QC14-0767	1	M767
1	TERMINAL: 2*4mm, 98740BS-0/A	A1QB55-0257	3	M257
	MOLDED PVC 35P, COLOR BLACK	H1BC02-0304K09		M304
	TERMINAL WITH BRACKET: M87629LA-3PB	A1QC82-0257K09	1	M257
No.	DESCRIPTION			Q'TY Supplier

APPROVED		<b>PCCABLES.COM INC</b>	Cable Length Unless Other Spec. Tolerances: 0 ~200mm ±10mm 201~1000mm ±20mm 1001 ~1500mm ±25mm 1501~2100mm ±30mm 2100mm↑ ±40mm
CHECKED	HU		
DESIGNER	XJW		
DRAWING	ZHU		
DATE	09/NOV/21		
ITEM NO.		UNIT:mm	

REV.1 2021.11.09 MODIFY PLUG DESCRIPTION  
NOTE: Cable Length Unless Otherwise Spec. Tolerances: Under 6FT ±25mm; Another ±50mm